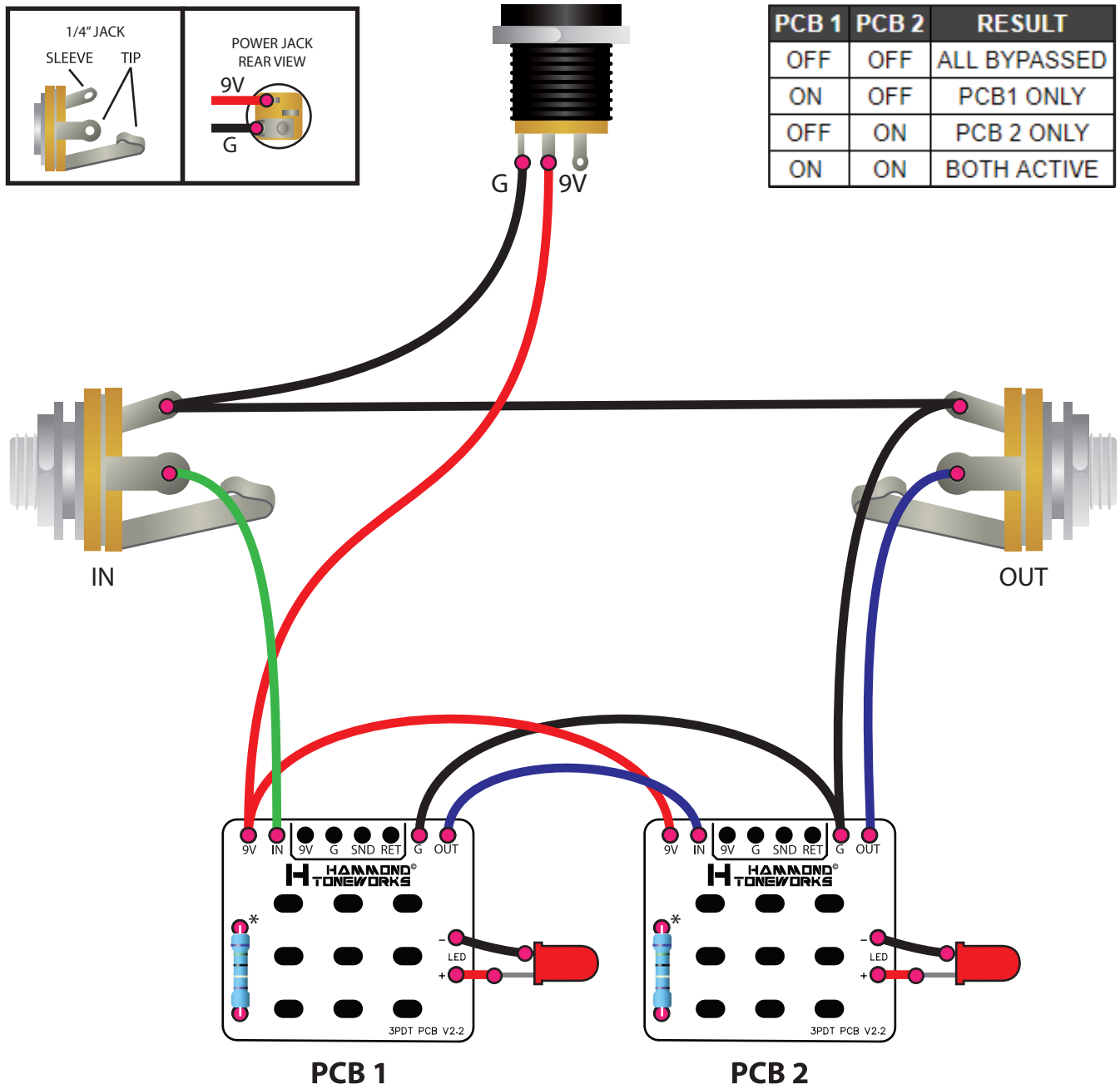


The wiring method below allows the use of two separate effect PCBs simultaneously, or separately, in the same enclosure. The signal will always go through "PCB 1" first, and then "PCB 2" last. This method allows the separate effects to behave the same as if they were two separate pedals stacked, but in the same enclosure.



● = Solder point

* LED can be any value of your choice.

Typical recommendation is 4.7k for normal red LEDs, but may require up to 56k depending on LED brightness and color.